

# FG EC Series

## Inline Centrifugal Fans

The company that invented the circular duct fan more than thirty years ago has taken the inline duct fan and improved its performance and energy efficiency with EC (electronically commutated) motors.

**Driven by EC technology, the fans now consume an average of 30% less energy than standard AC fans.**

EC motors use intelligent technology with integral electronic controls to ensure energy savings no matter what the airflow demands. Reduced energy usage results in lower operating costs. The motors develop less heat so significantly less maintenance is needed and the lifetime of the motor is increased.

Virtually airtight galvanized steel housings meet code requirements for both residential and commercial applications.

### Simplified Installation

The FG EC Series features new longer duct connections for easier installation. Fans are prewired and include bracket for mounting to wall or ceiling. Integrated controls mean less wiring is needed.

Straight-through airflow allows fans to be installed at any angle at any point along the ductwork.

### EC Technology

- More efficient than AC motor – **consumes 30% less energy!**
- Integrated electronic controls ensure fans run at optimal load no matter what the airflow demands
- Reduced operating costs
- Less maintenance
- Longer motor life
- Less wiring at installation

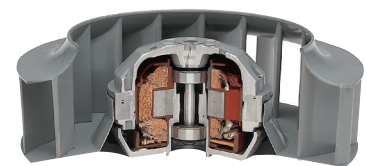
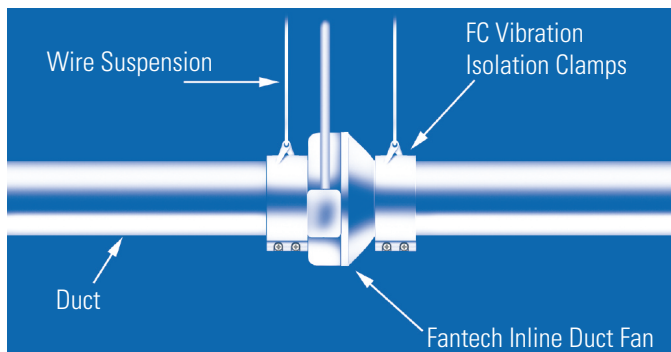
### Features and Benefits

- 180 to 805 CFM
- 4" to 12" (102 to 305 mm) duct diameter
- 100% speed controllable
- Pre-wired potentiometer (0-10V)
- Automatic reset thermal overload protection
- UL Listed and
- 5 year warranty




Fantech, Inc. certifies that the models shown herein are licensed to bear the AMCA Seal. The ratings are based on tests and procedures performed in accordance with AMCA Publication 211 and comply with the requirements of the AMCA Certified Ratings Program.

### Applications



Also Available: FGC EC Series  
Same fans prewired with six foot cord and plug

## Specification Data

Model		Rated power	Voltage / phase	Max amps	RPM	CFM per W*	0.0" P <sub>s</sub>	0.2" P <sub>s</sub>	0.4" P <sub>s</sub>	0.6" P <sub>s</sub>	0.8" P <sub>s</sub>	1.0" P <sub>s</sub>	1.5" P <sub>s</sub>	Max P <sub>s</sub>	Shipping weight		
		W	V / ~	A	min <sup>-1</sup>		cfm										in.wg
FG 4XL EC	•	35	120/1	0.6	4100	4.61	180	166	152	135	117	97	49	1.92	11	5	
FG 6M EC	•	78	120/1	1.32	2480	4.25	363	330	302	271	239	206	113	1.92	11	5	
FG 8 EC	•	76	120/1	1.32	2545	5.17	428	390	353	314	275	239	121	1.95	11	5	
FG 10 EC	•	91	120/1	1.32	2380	5.08	513	460	413	363	325	283	160	2.13	11	5	
FG 12 EC	•	141	120/1	2.10	2665	4.25	633	600	577	542	506	467	379	2.45	16	7	
FG 12XL EC	•	170	120/1	2.10	2510	4.42	805	750	686	615	537	474	315	1.96	16	7	

HVI Ratings @ 0.2" Static Pressure Only. Performance certified is for installation type D- Ducted inlet, Ducted outlet. Speed (RPM) shown is nominal. Performance based on actual speed of test. Performance ratings so not include the effect of appurtenances (accessories).

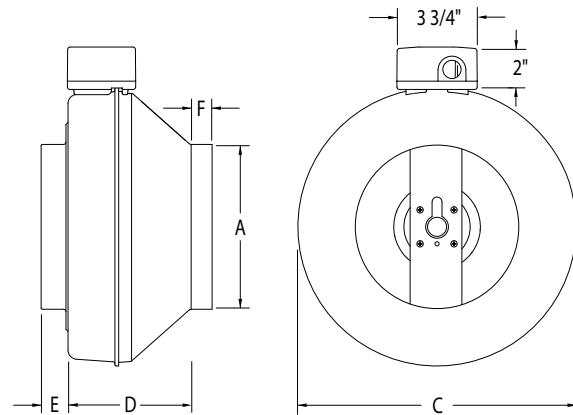
Also available: FGC EC Series fans pre-wired with six foot cord and plug. Models include FGC 6M EC, FGC 8 EC or FGC 10 EC.

\*CFM per Watt is not certified by AMCA.

## Dimensions

Model	A	C	D	E	F
FG 4XL EC	4 (102)	8 1/2 (216)	6 1/2 (165)	1 (25)	1 (25)
FG 6M EC	6 (152)	13 1/8 (333)	6 5/8 (168)	1 (25)	1 (25)
FG 8 EC	8 (203)	13 3/8 (340)	6 (152)	1 1/8 (29)	1 1/8 (29)
FG 10 EC	10 (254)	13 3/8 (340)	4 11/16 (119)	1 1/8 (29)	1 (25)
FG 12 EC	12 (305)	16 (406)	8 1/4 (210)	1 1/16 (27)	1 3/16 (30)
FG 12XL EC	12 (305)	16 (406)	8 1/4 (210)	1 1/16 (27)	1 3/16 (30)

All dimensions in inches (mm).  
†Duct connection is 1/8" smaller than duct size.



## Accessories



**FC**  
Mounting Clamps



**MTP 10**  
Speed Control



**FTD 7**  
7 Day Timer

## Customer Support:

Canada 800.565.3548 • CANADAsupport@fantech.net • [www.fantech.net](http://www.fantech.net)

Fantech reserves the right to modify, at any time and without notice, any or all of its products' features, designs, components and specifications to maintain their technological leadership position.



**fantech**®  
a systemair company